

# UTILITY TILT BED



5,000 GVW • 6,000 GVW • 7,000 GVW

Single Axle Utility Tilt Trailer

Available In 60", 72" or 81" Width and 12' or 14' Length



- 3" x 5" x 1/4" Angle Frame • 12" Tube Front Rail
- Cushion Cylinder with Needle Valve



**BEHNKE**  
TRAILERS SINCE 1987



(563)744-3246

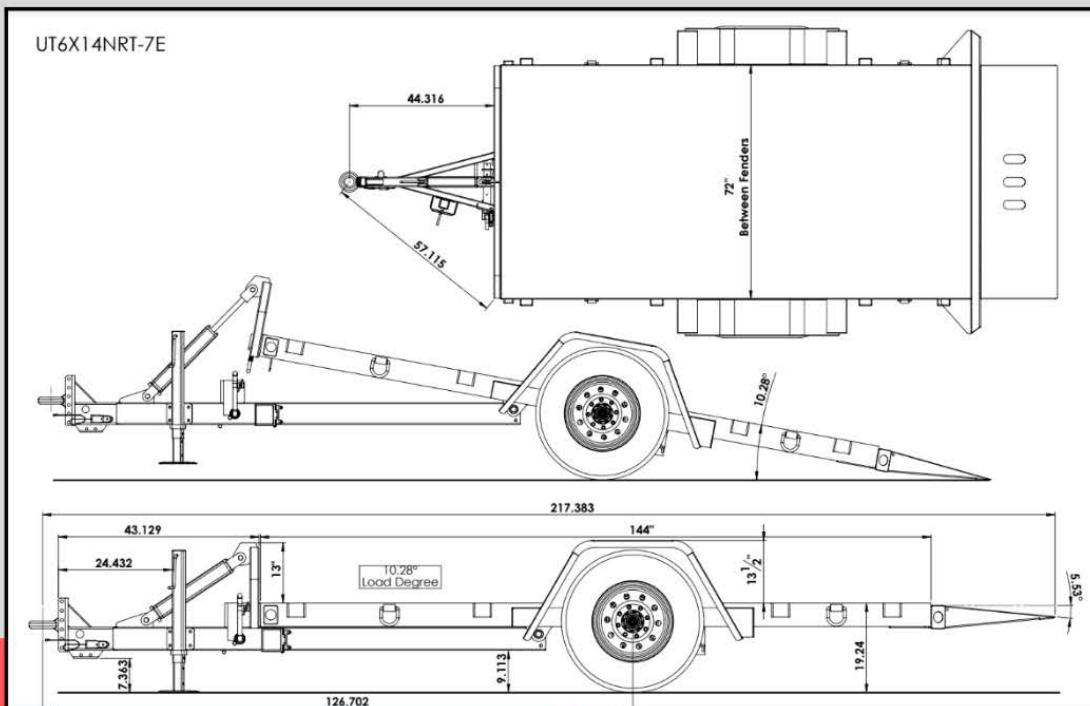
[www.behnkeenterprises.com](http://www.behnkeenterprises.com)



# UTILITY TILT BED

## Standard Equipment

<b>Brakes</b>	Electric and Forward Self-Adjusting Brakes
<b>Hitch</b>	2 5/16" Adjustable Coupler or Pintle Hitch
<b>Jack</b>	(1) 7,000 lb. Heavy Duty Dropleg Jack
<b>Lights</b>	Rubber Mounted Sealed LED Lights • Modular Wire Harness
<b>Fenders</b>	Heavy Duty Fenders
	Light Plug Holder
	Stake Pockets
<b>Tie Downs</b>	(6) D-Rings
<b>Floor</b>	2 x 8 Treated Wood Floor
<b>Tail</b>	1/8" Steel Diamond Plate
	(2) 3/8 Safety Chains
	14" Cushion Cylinder
	12-Volt Breakaway Kit with Full Charge Indicator, Switch, and Battery
<b>Finish</b>	Zinc Rich Primed and Powder Coated— Black, Red, Blue, Gray, Yellowstone



## Axle Options

- (1) 5,200 lb. Dexter  
E-Z Lube Axle, 4" Drop  
ST225-75R-16" Tire & Wheel
- (1) 6,000 lb. Dexter  
E-Z Lube Axle, 4" Drop  
ST235-80R-16" Tire & Wheel
- (1) 7,000 lb. Dexter  
E-Z Lube Axle, 4" Drop  
ST235-80R-16" Tire & Wheel



Behnke Enterprises, Inc.  
800 Ninth Ave. NW  
Farley, IA 52046



(563) 744-3246

[www.behnkeenterprises.com](http://www.behnkeenterprises.com)

**BEHNKE**  
TRAILERS