



# SX6

## Six Axle Side Dump Trailer



Hauls 37.4 tons ◀ 40-foot tub ◀ Standard CDL ◀ Tight turns

800-779-8099 • 712-546-4409 • [sidedump.com](http://sidedump.com)

Six Axle Side Dump  
**SX6**



# SX6

## Six Axle Side Dump Trailer

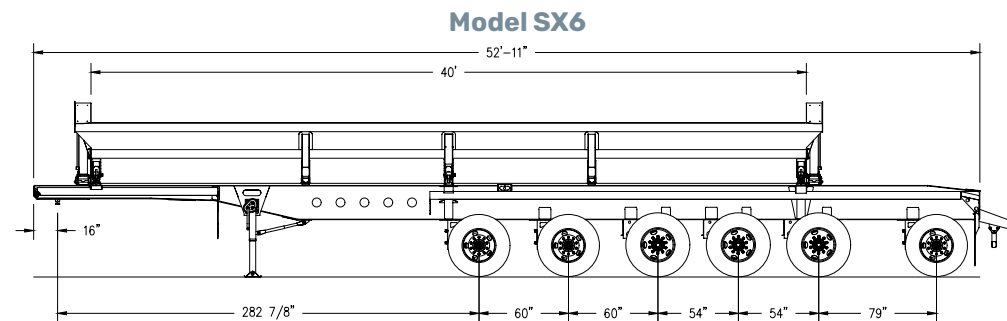
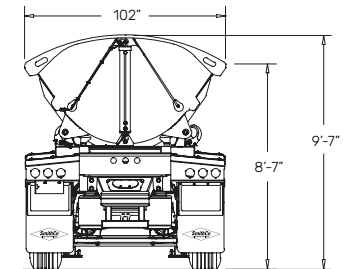
### Model SX6 SmithCo Side Dump Trailer

Specs shown are for 53' frame length; other configurations available.

<b>Frame Length</b>	53'
<b>Tub Length</b>	40'
<b>Width</b>	102"
<b>Height</b>	8' 7" at Tub side, 9' 7" at Center
<b>Tub Construction</b>	1/4" Thick, AR400 Steel (or equivalent) 3/16" Thick, AR400 Steel (or equivalent) is optional External Column Supports, No Center Tub Divider
<b>Frame Construction</b>	80/100 KSI, Fabricated Steel I-Beam
<b>Kingpin</b>	2" Kingpin, 16" Setting, Replaceable Type
<b>Landing Gear</b>	Two Speed, Load Bearing
<b>Bumper</b>	Push Bar Type, Bolt-On
<b>Cylinders</b>	3500 PSI, 6" bore
<b>Hinges</b>	Self-Aligning, Spherical Bearing Type (greaseable)
<b>Suspension</b>	Air Ride Suspension Standard
<b>Axles</b>	(3) 25,000# capacity (3) 13.2K Air Ride/Lift/Steerable
<b>Hubs</b>	10 Hole, Hub Piloted
<b>ABS</b>	2S1M Anti-Lock Brake System
<b>Drums</b>	Outboard Mount, Cast Steel
<b>Wheels</b>	Steel Disc, 8.25 X 22.5 (12), 9 X 22.5 on Steerable/lift (6)
<b>Tires</b>	11 R 22.5 G Radial Tires on Mains 295/75 R 22.5 on Steerable/lift
<b>Brakes</b>	16 1/2" x 7" std, Disc Brakes available
<b>Fenders</b>	Front & Rear, 1/4" Synthetic, 7 Degree Slope
<b>Lights</b>	12 Volt LED, ICC w/ Sealed Harness
<b>Mud Flap</b>	(4) Polyline Anti-Spray Splash Guard w/SmithCo name
<b>Paint</b>	Polyurethane, any combination of gray, white or black Special colors available upon request

### SX6 Series Tub Capacities

	40' Tub
<b>Waterfull</b>	26.8 cu yd
<b>Heaped</b>	35.6 cu yd



#### Min. Tractor Hydraulic Reqs.

25-30 GPM, 3000 PSI, 10 Gallon Reservoir