



# TMB

*Truck Mount Boxes*



Stockpile or windrow ◀ Dump off of either side ◀ Watertight; no leaks ◀ Low load height

800-779-8099 • 712-546-4409 • [sidedump.com](http://sidedump.com)

**TMB**  
Truck Mount Boxes

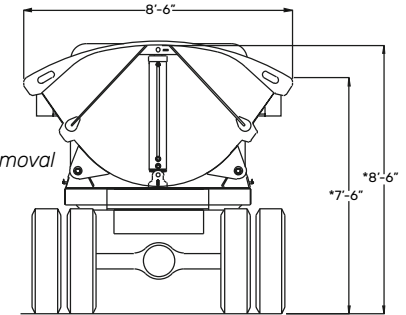


# TMB

## Truck Mount Boxes

### Truck Mount Boxes

<b>Tub Construction</b>	1/4" Thick, AR450 Steel 3/16" Thick, AR450 Steel is available
<b>Cylinders</b>	(2) 5" Bore, 3500 PSI
<b>Paint</b>	Polyurethane, any combination of gray, white or black Special colors available upon request
<b>Min. Tractor Hydraulic Reqs.</b>	25-30 GPM, 2,200-2,400 PSI, 10 Gallon Reservoir



*\*Heights may vary depending on truck specifications  
\*\*8" min. cab clearance allows room for cylinder pin removal  
19" min. cab clearance is needed if a tarp is specified  
Vertical exhaust may require additional clearance  
Fenders over drive axles is an option*

Two Axle Truck			Tub Capacities		Tare Weight		
Model	A	B**	C	W (Waterfull)	H (Heaping)	3/16" Tub	1/4' Tub
1008	8'	6'11"	10'5"	5.4 cu yd	7.4 cu yd	3490 lbs	3880 lbs
1009	9'	7'11"	11'5"	6.1 cu yd	8.3 cu yd	3575 lbs	4000 lbs
1010	10'	8'11"	12'5"	6.7 cu yd	9.2 cu yd	3660 lbs	4110 lbs
1011	11'	9'11"	13'5"	7.4 cu yd	10.1 cu yd	3750 lbs	4230 lbs
1012	12'	10'11"	14'5"	8.1 cu yd	11.1 cu yd	3835 lbs	4350 lbs
1013	13'	11'11"	15'5"	8.7 cu yd	12.0 cu yd	3925 lbs	4460 lbs
1014	14'	12'11"	16'5"	9.4 cu yd	12.9 cu yd	4010 lbs	4580 lbs

Three or More Axle Truck			Tub Capacities		Tare Weight		
Model	A	B**	C	W (Waterfull)	H (Heaping)	3/16" Tub	1/4' Tub
1012	12'	10'11"	14'5"	8.1 cu yd	11.1 cu yd	3835 lbs	4350 lbs
1013	13'	11'11"	15'5"	8.7 cu yd	12.0 cu yd	3925 lbs	4460 lbs
1014	14'	12'11"	16'5"	9.4 cu yd	12.9 cu yd	4010 lbs	4580 lbs
1015	15'	12'3"	17'5"	10.1 cu yd	13.8 cu yd	4100 lbs	4700 lbs
1016	16'	13'3"	18'5"	10.8 cu yd	14.7 cu yd	4185 lbs	4810 lbs
1017	17'	14'3"	19'5"	11.4 cu yd	15.7 cu yd	4270 lbs	4930 lbs
1018	18'	15'3"	20'5"	12.1 cu yd	16.6 cu yd	4360 lbs	5040 lbs
1019	19'	16'3"	21'5"	12.8 cu yd	17.5 cu yd	4450 lbs	5160 lbs
1020	20'	17'3"	22'5"	13.5 cu yd	18.4 cu yd	4470 lbs	5240 lbs

